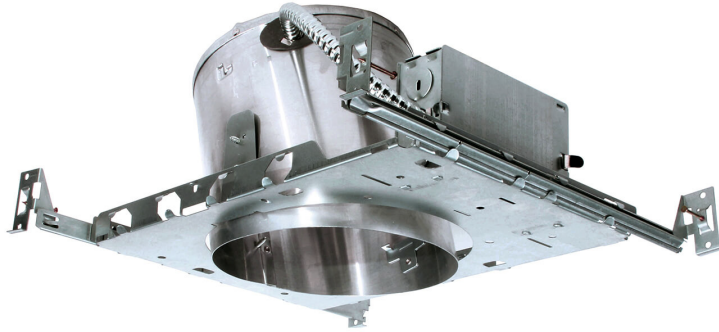
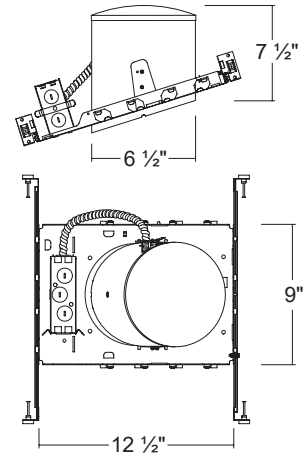


LED900ICA / LED900ICA-01V

6" Slope IC Air-Tight LED Dedicated New construction Housing



Dimensions



SPECIFICATION

Housing

- Designed for use in ceiling with slopes from 2/12 to 6/12

Plaster Frame

- Galvanized steel construction. The housing can be removed from plaster frame to provide access to the junction box

Junction Box

- Listed for through branch circuit wiring
- Contains seven 7/8" knockouts and four Romex pryouts with strain relief

Bar Hanger

- Pre-installed Real nail easily installs in regular lumber, engineered lumber
- Bar Hangers are adjustable from 13-5/8" to 25" and can be repositioned 90 degree on plaster frame

Listings

- cULus Listed for Damp Location
- cULus Listed for Feed Through
- Certified under ASTM-E283 for Air tight construction

CONNECTOR

LED900ICA

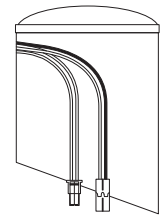
Triac Dimming Ver.



Ideal connector

LED900ICA-01V

0-10V Dimming Ver.



Molex connector

Ideal connector

ORDERING INFORMATION

Model No.	Dimming	Description
LED900ICA	Triac Dimming	6" Slope IC Air-Tight Dedicated New construction Housing
LED900ICA-01V	0-10V Dimming	6" Slope IC Air-Tight Dedicated New construction Housing

COMPATIBLE TRIMS

LED900ICA

Model NO.

SLKT600
SLKT603
SLKT600-3CCT
SLKT603-3CCT
SLKT600-5CCT
SLKT603-5CCT

Description

6 inch LED Slope Round Smooth Retrofit kit
6 inch LED Slope Round Baffle Retrofit kit
6 inch Selectable 3 CCT LED Slope Round Smooth Retrofit kit
6 inch Selectable 3 CCT LED Slope Round Baffle Retrofit kit
6 inch Selectable 5 CCT LED Slope Round Smooth Retrofit kit
6 inch Selectable 5 CCT LED Slope Round Baffle Retrofit kit

LED900ICA-01V

Model NO.

SLKT600-5CCT-M
SLKT603-5CCT-M

Description

6 inch Selectable 5 CCT LED Slope Round Smooth Retrofit kit
6 inch Selectable 5 CCT LED Slope Round Baffle Retrofit kit